

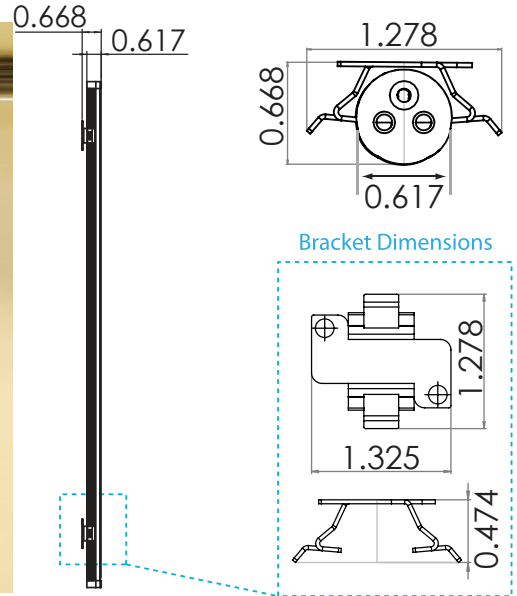


Halo & Sparkle Slim Line LED Linear Luminaire - Under Shelf

Patent Pending



Slim Line LED Under Shelf - Sparkle



General Info

Construction

High thermally conductive aluminum body.
Proprietary heat dissipation construction.
UL submittal dry location.

LED Board

4.9W/ft power consumption - Sparkle.
7.6W/ft power consumption - Halo.

Available Lengths

12", 24" are each powered by one driver.
36", 48" are each powered by two drivers.

Sparkle - 12"(320lm), 24"(640lm),
36"(960lm), 48"(1280lm).

Halo - 12"(434lm), 24"(868lm),
36"(1302m), 48"(1736lm).

Power Requirements

Phoster Light Engine is powered by Phoster Power Supply 120VAC input. Maintains uniformity of LED brightness and color. Dimmable option available.

Mounting Mechanism

Surface mount.

Wiring

Phoster Light Engine supplied with Phoster LED Power Supply which can be connected to line 120VAC.

Serviceability

Light fixture can be easily removed from body for easy servicing. Individual LED boards easily replaceable.

Suitable for installation in enclosed and open environments.

5 year limited warranty (see warranty statement for further details). **IC** rated.

Catalog Wattage Fixture Lens LED Color Length Type

PLE - 4 . 9 W - SLUS - 9 4 D - 2 4 K - 1 2 - SP

Sparkle
4.9W, 9.8W,
14.7W, 16.3W

Halo
7.6W, 15.2W, 22.8W

2400K
2700K
3000K
3500K
4000K
5000K

Sparkle
12", 24",
36", 40"

Halo
12", 24", 36"

SP - Sparkle
HA - Halo

* The 2400K option is only available for the Sparkle Slim Line .



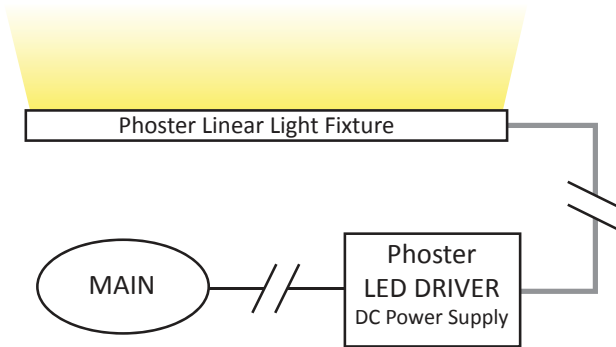
Halo & Sparkle

Slim Line LED Linear Luminaire - Under Shelf Wiring Diagram



Approved for Sparkle option only

Slim Line Linear Luminaire - Under Shelf - Wiring Specification



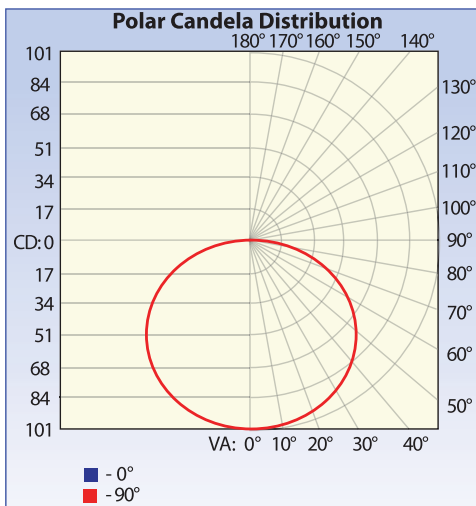
Catalog Fixture Dimmability

PLD - SL 1 2 - N D S

12"
24"
36"
48"

NDS- Non-Dim Sparkle
DS- Dimmable Sparkle
NDH- Non-Dim Halo
DH- Dimmable Halo

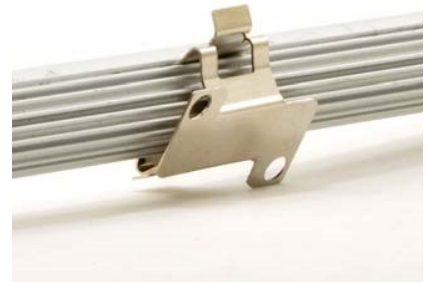
Photometrics



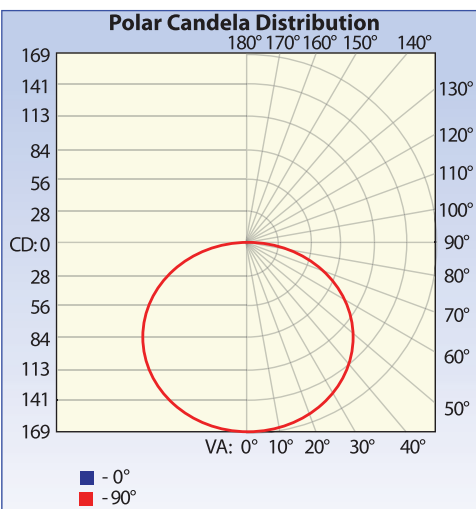
7.35W/ft
94 deg

Illuminance at a Distance
Center Beam FC

0.7ft	228.0 fc
1.3ft	57.0 fc
2.0ft	25.3 fc
2.7ft	14.2 fc
3.3ft	9.1 fc
4.0ft	6.3 fc



Slim Line Under Shelf Bracket



5W/ft
94 deg

Illuminance at a Distance
Center Beam FC

6.0ft	4.69 fc
8.0ft	2.64 fc
10.0ft	1.69 fc
12.0ft	1.17 fc
14.0ft	0.86 fc
16.0ft	0.66 fc

Available From:

The information contained in this document is intended only for the use of the recipient. It may contain confidential, proprietary or legally privileged information. If the reader of this document is not the intended recipient, or the employee or agent responsible to deliver it to the intended recipient, you are hereby notified that any dissemination, distribution, disclosure, use, print or copying of this communication and any attachment(s) is strictly prohibited. Phoster Industries 8509 Place Devonshire, Mount-Royal, Quebec, Canada www.phosterindustries.com 11/12

www.phosterindustries.com 514 931 2928