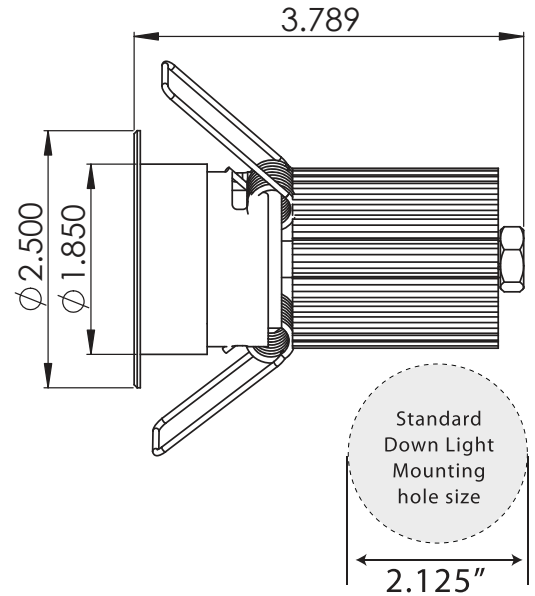




Patent Pending

350 mA

# EyeLED Luminaire Recessed Down Light



## General Info

### Construction

High thermally conductive aluminum body. Proprietary heat dissipation construction.

### LED Board

9W power consumption  
675lm light output

### Mounting Mechanism

Spring mount mechanism allows fixture to be recessed. Mounting hole size is 2.125" diameter.

### Power Requirements

Phoster Light Engine is powered by Phoster Power Supply 120 VAC input. Dimmable using Phoster proprietary mains-dimming intelligent driver - compatible with standard off-the-shelf TRIAC wall dimmer (Lutron, Leviton, Watt stopper, etc). Maintains uniformity of LED brightness and color.

### Wiring

Phoster Light Engine supplied with DC cable (standard 2' x 6') to Phoster LED power supply which can be connected to line 120 VAC. Plenum rated.

### Serviceability

Light fixture can be easily removed and serviced. LED board easily replaceable. **Suitable for installation in enclosed and open environments.** 5 year limited warranty (see warranty statement for further details). IC rated.

Catalog Wattage Fixture Lens LED Color

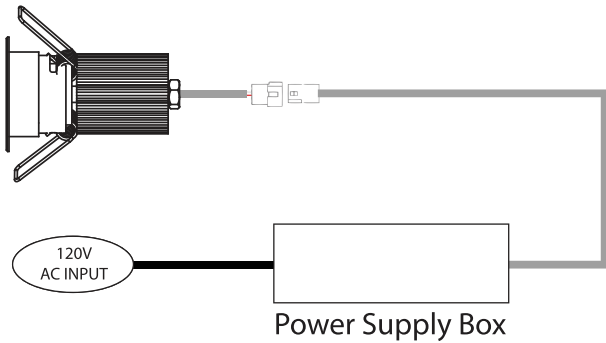
**P L E - 9 W - R D L - 3 6 D - 2 7 K**

\* All EyeLED Luminaires are made with the Basic Brushed Aluminum Trim. For additional Trim & Finish options refer to the following EyeLED Trims page.

2700K  
3000K  
3500K  
4000K  
5000K

## Non-Dimmable Driver Options

## Driver Part Numbers



Catalog Fixture Dimmability

**PLD - RDL1P - ND - 350**

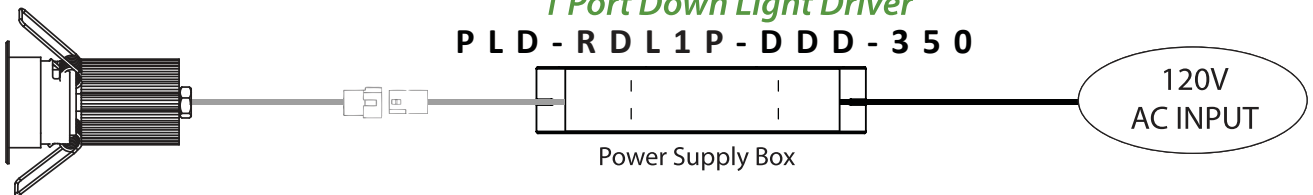
PSB Dimensions (L x W x H)

- RDL1P - 1 Port Driver - 6.5x1.75x1.25
- RDL2P - 2 Port Driver - 8.26x2.86x1.5
- RDL3P - 3 Port Driver - 8.26x4.0x1.50
- RDL4P - 4 Port Driver - 7.875x7.0x1.5
- RDL5P - 5 Port Driver - 7.875x7.0x1.5

## Dimmable Driver Options (Dimming - Down to 1%)

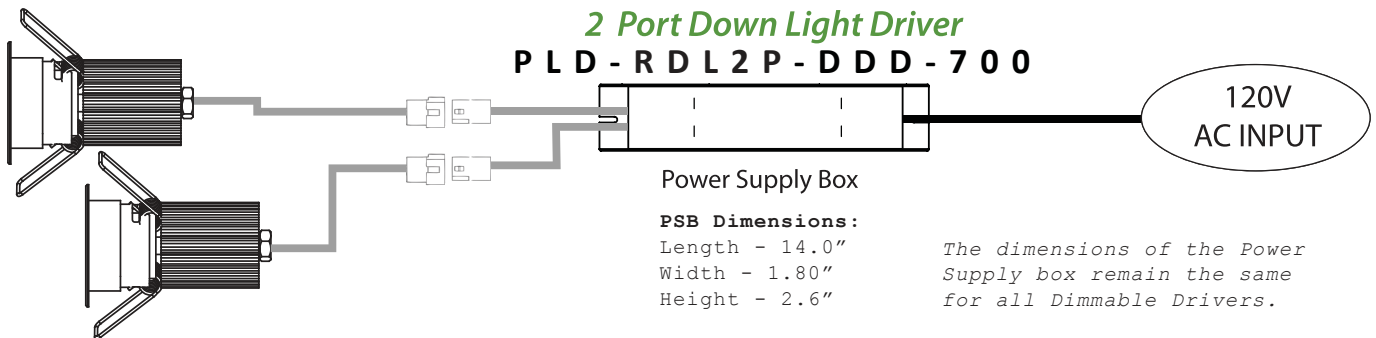
### 1 Port Down Light Driver

**PLD - RDL1P - DDD - 350**



### 2 Port Down Light Driver

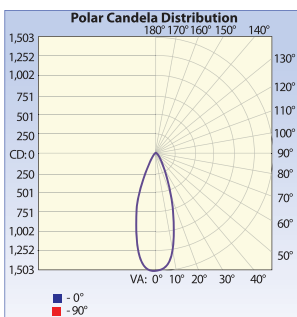
**PLD - RDL2P - DDD - 700**



PSB Dimensions:  
Length - 14.0"  
Width - 1.80"  
Height - 2.6"

*The dimensions of the Power Supply box remain the same for all Dimmable Drivers.*

## Photometrics



	Center Beam FC	Field Width
1.3ft	837.4 fc	1.7ft
2.7ft	209.3 fc	3.4ft
4.0ft	93.0 fc	5.1ft
5.3ft	52.3 fc	6.7ft
6.7ft	33.5 fc	8.4ft
8.0ft	23.3 fc	10.1ft

■ Vertical Spread: 64.6°

**Available From:**

