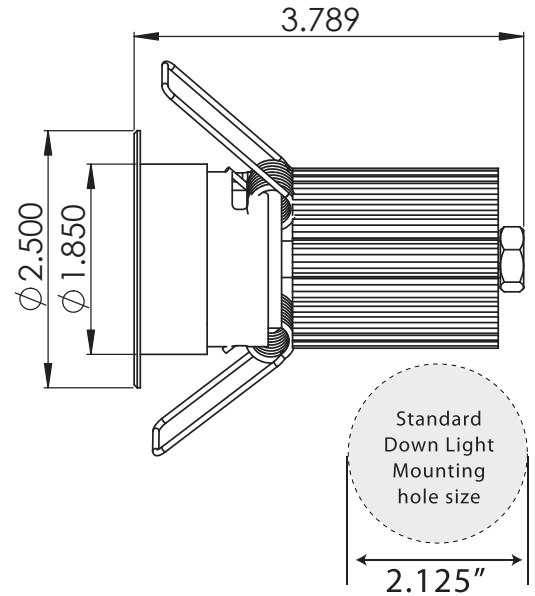




Patent Pending

700 mA

EyeLED Luminaire Recessed Down Light



General Info

Construction

High thermally conductive aluminum body. Proprietary heat dissipation construction.

LED Board

17.2W power consumption
975lm light output

Mounting Mechanism

Spring mount mechanism allows fixture to be recessed. Mounting hole size is 2.125" diameter.

Power Requirements

Phoster Light Engine is powered by Phoster Power Supply 120 VAC input. Dimmable using Phoster proprietary mains-dimming intelligent driver - compatible with standard off-the-shelf TRIAC wall dimmer (Lutron, Leviton, Watt stopper, etc). Maintains uniformity of LED brightness and color.

Wiring

Phoster Light Engine supplied with DC cable (standard 2' x 6') to Phoster LED power supply which can be connected to line 120 VAC. Plenum rated.

Serviceability

Light fixture can be easily removed and serviced. LED board easily replaceable.

Suitable for installation in enclosed and open environments.
3 year limited warranty (see warranty statement for further details).
IC rated.

Catalog Wattage Fixture Lens LED Color

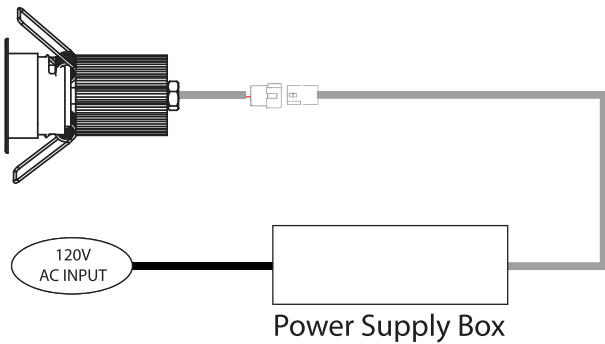
P L E - 1 7 . 2 W - R D L - 3 6 D - 2 7 K

* All EyeLED Luminaires are made with the Basic Brushed Aluminum Trim. For additional Trim & Finish options refer to the following EyeLED Trims page.

2700K
3000K
3500K
4000K
5000K

Non-Dimmable Driver Options

Driver Part Numbers



Catalog Fixture Dimmability

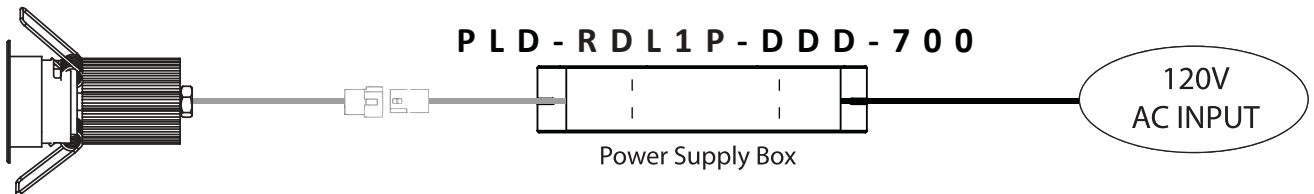
PLD - RDL1P - ND - 700

PSB Dimensions (L x W x H)

- RDL1P** - 1 Port Driver - 6.5x1.75x1.25
- RDL2P** - 2 Port Driver - 8.26x2.86x1.5
- RDL3P** - 3 Port Driver - 8.26x4.0x1.50
- RDL4P** - 4 Port Driver - 7.875x7.0x1.5
- RDL5P** - 5 Port Driver - 7.875x7.0x1.5

Dimmable Driver Options (Dimming - Down to 1%)

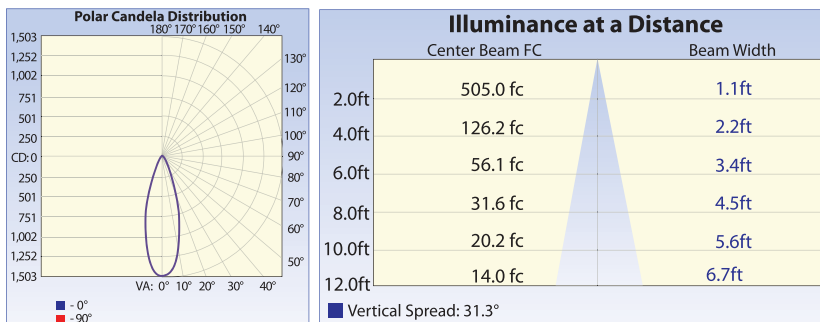
1 Port Down Light Driver



PLD - RDL1P - DDD - 700

PSB Dimensions:
Length - 14.0"
Width - 1.80"
Height - 2.6"

Photometrics



Available From: