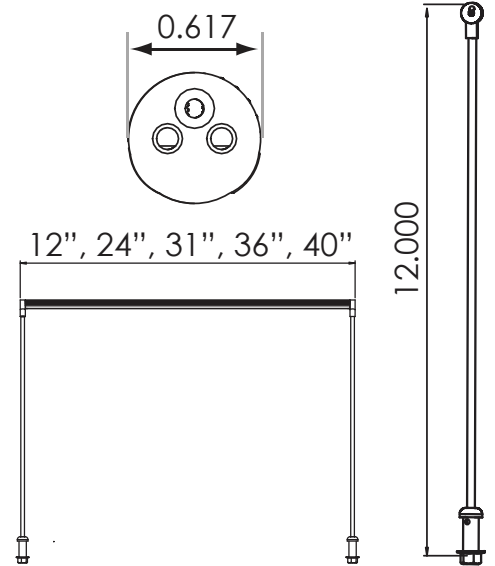




Halo & Sparkle

Patent Pending

Slim Line LED Linear Luminaire - Cantilever



General Info

Construction

High thermally conductive aluminum body.
Proprietary heat dissipation construction.
UL submittal dry location.

LED Board

4.9W/ft power consumption - Sparkle.

Available Lengths

12", 24" & 31" are each powered from one end.
36" & 40" are each powered from both ends.
12"(320lm), 24"(640lm), 31"(720lm),
36"(960lm), 40"(1040lm).
CRI: 85

Wiring

Phoster Light Engine supplied with Phoster LED Power Supply which can be connected to line 120VAC.

Power Requirements

Phoster Light Engine is powered by Phoster Power Supply 120VAC input. Maintains uniformity of LED brightness and color.

Mounting Mechanism

Surface mount adjustable bracket with swivelling capabilities. The fixture can be cantilevered from 1" to 12". Other cantilevered lengths available upon request.

Serviceability

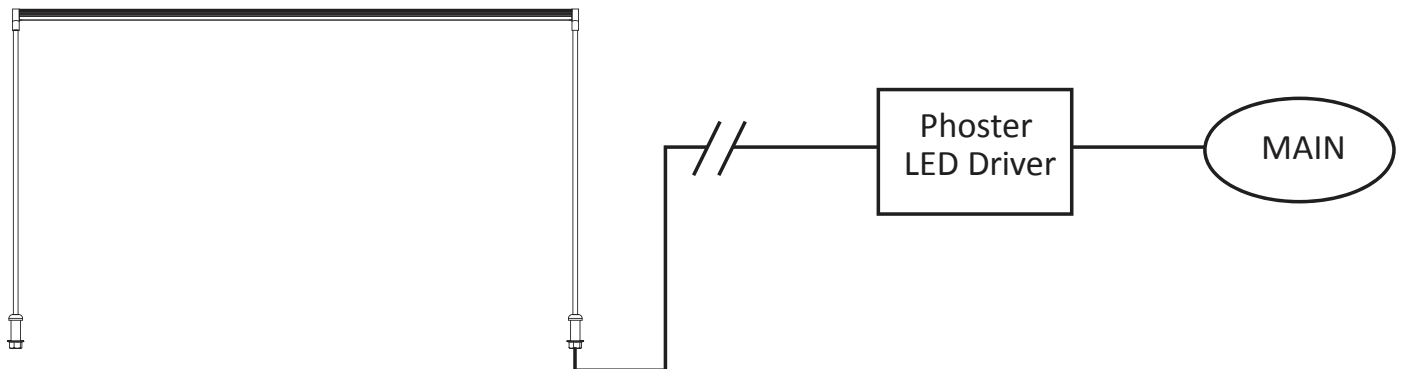
Light fixture can be easily removed from body for easy servicing. Individual LED boards easily replaceable.
Suitable for installation in enclosed and open environments.
5 year limited warranty (see warranty statement for further details).
IC rated.

Catalog Wattage Fixture Lens LED Color Length Type
P L E - 4 . 9 W - S L C L - 9 4 D - 2 4 K - 1 2 - S P

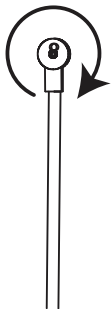
4.9 W	2400K	12"	SP - Sparkle *Other options will be available soon.
9.8 W	2700K	24"	
12.7 W	3000K	31"	
14.7 W	3500K	36"	
16.3 W	4000K	40"	
	5000K		

Slim Line LED Linear Luminaire - Cantilever Wiring Diagram

Slim Line Linear Luminaire - Cantilever - Wiring Specification



360°



Full 360 Deg Rotation

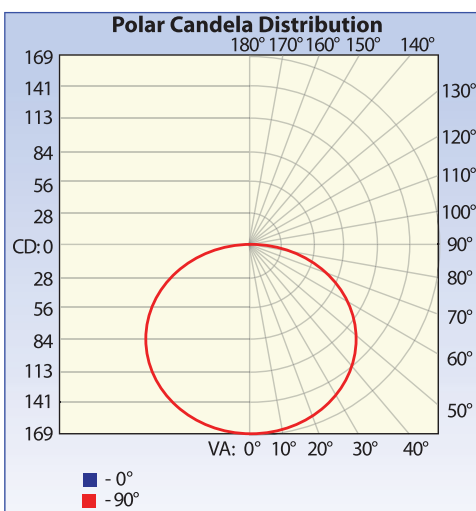
The Slim Line Cantilever can be swiveled no more than 180 Deg in either directions for a total of 360 Deg.

Catalog Fixture Dimmability

PLD-SLCL12-ND

- 12"
- 24"
- 31"
- 36"
- 40"

Photometrics



5W/ft
94 deg

Illuminance at a Distance	
Center Beam FC	
6.0ft	4.69 fc
8.0ft	2.64 fc
10.0ft	1.69 fc
12.0ft	1.17 fc
14.0ft	0.86 fc
16.0ft	0.66 fc

Available From:

