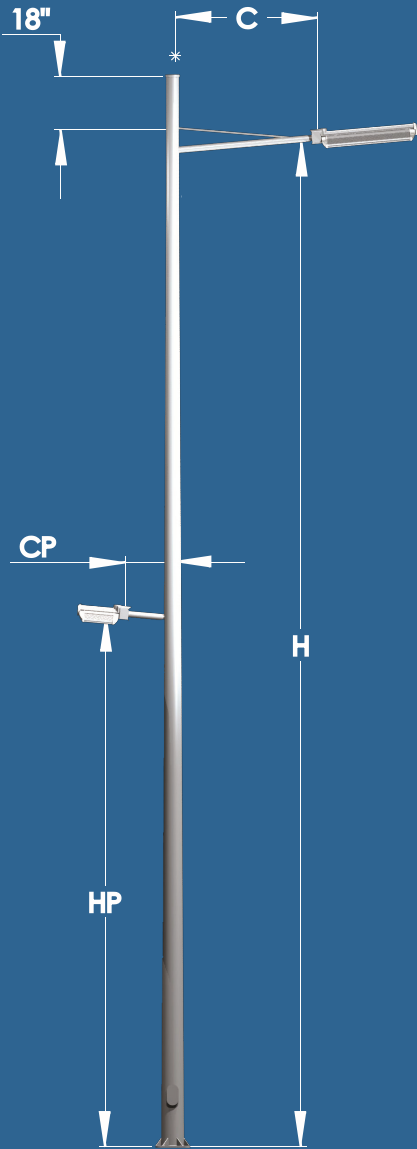


T Tapered 5 degrees Aluminum Poles



APPLICATION

Tapered 5 degrees "T" pole applications include bridges, street, highway, parking lot, residential and area lighting.

SPECIFICATIONS

The pole shaft will be tapered from a 6063 aluminum extruded alloy tube and shall be heat treated to T6 after welding. The arms are tapered to 2" IPS (2 3/8" outside diameter).

EQUIPMENT

Poles are supplied complete with grounding lug, 4" x 7" hand hole and cover, four shims and four snap-on aluminum anchor bolt covers. The anchor bolt kit which includes one foundation template*, four anchor bolts, eight washers and eight nuts is to be ordered separately and can be pre-shipped by indicating this requirement on the order.

Direct burial (DB) poles are supplied complete with below grade 2" x 9" wiring slot. Buried portion of pole is coated with an alkali-resistant coal tar epoxy.

*NOTE: On large orders one template is supplied for every five poles ordered.

FINISH

Standard finish is a rotary polished aluminum. Painted and anodized finishes are also available. Consult your representative for details.

WIND LOAD

All EPAs are calculated with a total weight of 150 lbs and wind with a 1.3 gust factor.

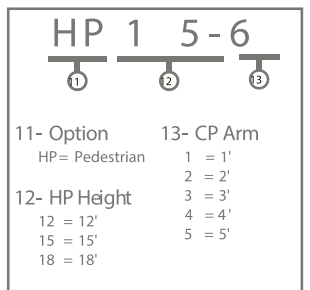
For more information on EPAs or a specific requirement, please contact your representative for details.

ORDERING INFORMATION



- 1- Pole Style
T = Tapered 5 deg.
- 2- H Mounting Height
15 = 15' 25 = 25'
18 = 18' 30 = 30'
20 = 20' 35 = 35'
40 = 40'
- 3- Bottom Diameter
5 = 5"
6 = 6"
7 = 7"
8 = 8"
10 = 10"
- 4- Top Diameter
35 = 3.5"
45 = 4.5"
55 = 5.5"
- 5- Thickness
A = .125"
B = .156"
C = .188"
E = .250"
- 6- Color Option
- = POLISHED
2 = LIGHT GREY
- 7- Base Type
AB = ANCHOR BOLT BASE
DB = DIRECT BURIAL
- 8- C Arm Length
3 = 3'
4 = 4'
6 = 6'
8 = 8'
9 = 9'
- 9- Base Type
1 = SINGLE ARM
2 = DOUBLE ARM
- 10- Receptacle Option
A = ABOVE HAND HOLE
B = 10FT FROM BASE
C = 2FT FROM MOUNTING

Second Light option



Elumen Lighting Networks
7451 Transcanada Hwy
Suite 100
St-Laurent, Québec
H4T 1T3

T. 514-876-1010
F. 514-876-1010

www.elumenlighting.com

evolution • efficiency • energy • economy • environment

Tapered 5 degrees Aluminum Poles



POLE SPECIFICATION GUIDE

Length H Feet	CATALOG NUMBER	TAPER Inches	WALL Inches	ANCHORBASE DETAIL						DIRECT BURIAL DEPTH D Feet	EPA				
				CATALOG NUMBER	A Inches	BC Inches	S In.	Bolts Inches	E In.		80 mph	90 mph	100 mph	110 mph	120 mph
15	T15-535A-AB	5 - 3 ¹ / ₂	.125	ABK75-075	5 ⁵ / ₁₆	7 ¹ / ₂	9	3/4 x 24	2	3'6"	6.2	4.7	3.6	2.4	1.5
	T15-535B-AB	5 - 3 ¹ / ₂	.156								8.5	6.7	5.4	3.9	2.8
	T15-535C- AB	5 - 3 ¹ / ₂	.188								10.9	8.7	7.2	5.4	4.1
18	T18-535B-AB	5 - 3 ¹ / ₂	.156	ABK75-075	5 ⁵ / ₁₆	7 ¹ / ₂	9	3/4 x 24	2	4'	6.1	4.5	3.3	2.1	1.1
	T18-535C- AB	5 - 3 ¹ / ₂	.188	ABK75-075	5 ⁵ / ₁₆	7 ¹ / ₂	9	3/4 x 24	2		8.1	6.2	4.8	3.3	2.2
	T18-635B-AB	6 - 3 ¹ / ₂	.156	ABK85-075	6	8 ¹ / ₂	10	3/4 x 24	2		10.4	8.1	6.5	4.7	3.3
	T18-635C- AB	6 - 3 ¹ / ₂	.188	ABK85-075	6	8 ¹ / ₂	10	3/4 x 24	2		13.3	10.6	8.7	6.5	4.8
20	T20-635B-AB	6 - 3 ¹ / ₂	.156	ABK85-075	6	8 ¹ / ₂	10	3/4 x 24	2	4'	8.5	6.4	4.8	3.2	1.9
	T20-635C- AB	6 - 3 ¹ / ₂	.188								11.0	8.5	6.8	4.8	3.3
	T20-645B-AB	6 - 4 ¹ / ₂	.156								8.1	6.0	4.4	2.7	2.4
	T20-645C- AB	6 - 4 ¹ / ₂	.188								10.6	8.1	6.3	4.4	3.7
25	T25-745B-AB	7 - 4 ¹ / ₂	.156	ABK105-1	7 ⁷ / ₁₆	10 - 11	11	1 x 30	2 ¹ / ₂	4'6"	7.5	5.1	3.3	1.5	1.3
	T25-745C- AB	7 - 4 ¹ / ₂	.188	ABK105-1	7 ⁷ / ₁₆	10 - 11	11	1 x 30	2 ¹ / ₂		10.3	7.5	5.4	3.2	2.8
	T25-845B-AB	8 - 4 ¹ / ₂	.156	ABK115-1	8 ¹ / ₈	11 - 12	12	1 x 30	2 ³ / ₄		11.4	8.4	6.1	3.7	3.2
	T25-845C- AB	8 - 4 ¹ / ₂	.188	ABK115-1	8 ¹ / ₈	11 - 12	12	1 x 30	2 ³ / ₄		15.0	11.4	8.8	6.0	5.1
30	T30-845B-AB	8 - 4 ¹ / ₂	.156	ABK115-1	8 ¹ / ₈	11 - 12	12	1 x 30	2 ³ / ₄	5'	6.8	4.1	2.0	0.1	-
	T30-845C- AB	8 - 4 ¹ / ₂	.188	ABK115-1	8 ¹ / ₈	11 - 12	12	1 x 30	2 ³ / ₄		9.7	6.6	4.2	1.9	1.7
	T30-845E-AB	8 - 4 ¹ / ₂	.250	ABK115-1	8 ¹ / ₈	11 - 12	12	1 x 30	2 ³ / ₄		15.2	11.3	8.4	5.4	4.6
	T30-1055C-AB	10 - 5 ¹ / ₂	.188	ABK15-1	9 ⁷ / ₈	13 - 15	13	1 x 30	3		18.2	13.5	12.0	9.5	7.6
	T30-1055E-AB	10 - 5 ¹ / ₂	.250	ABK15-1	9 ⁷ / ₈	13 - 15	13	1 x 30	3		27.0	21.0	18.7	15.0	12.3
35	T35-845C- AB	8 - 4 ¹ / ₂	.188	ABK115-1	8 ¹ / ₈	11 - 12	12	1 x 30	2 ³ / ₄	5'6"	5.6	2.8	0.5	-	-
	T35-845E-AB	8 - 4 ¹ / ₂	.250	ABK115-1	8 ¹ / ₈	11 - 12	12	1 x 30	2 ³ / ₄		10.2	6.7	4.0	1.5	1.3
	T35-1055C-AB	10 - 5 ¹ / ₂	.188	ABK15-1	9 ⁷ / ₈	13 - 15	13	1 x 30	3		12.5	8.2	7.3	5.5	4.1
	T35-1055E-AB	10 - 5 ¹ / ₂	.250	ABK15-1	9 ⁷ / ₈	13 - 15	13	1 x 30	3		19.9	14.5	12.9	10.1	8.0
40	T40-845C- AB	8 - 4 ¹ / ₂	.188	ABK115-1	8 ¹ / ₈	11 - 12	12	1 x 30	2 ³ / ₄	6'0"	2.2	-	-	-	-
	T40-845E-AB	8 - 4 ¹ / ₂	.250	ABK115-1	8 ¹ / ₈	11 - 12	12	1 x 30	2 ³ / ₄		6.2	3.0	0.4	-	-
	T40-1055C-AB	10 - 5 ¹ / ₂	.188	ABK15-1	9 ⁷ / ₈	13 - 15	13	1 x 30	3		7.2	3.4	3.0	1.8	0.9
	T40-1055E-AB	10 - 5 ¹ / ₂	.250	ABK15-145	9 ⁷ / ₈	13 - 15	13	1 ¹ / ₄ x 48	3		13.5	8.7	7.7	5.7	4.3

All EPAs are calculated with a total weight of 150 lbs. For other weights, please contact factory.

