

# EYELED LUMINAIRE - RECESSED DOWNLIGHT ELEVATOR APPLICATION

**Construction:**

High thermally conductive aluminum body  
Proprietary heat dissipation construction  
Upon spec approval will pursue damp location certification from ETL and UL

**LED Board:**

9W power consumption  
560lm light output

**Power Requirements:**

Phoster Light Engine is powered by Phoster Power Supply - 24 VDC output/120 VAC input  
Dimmable using Phoster proprietary mains-dimming intelligent driver - compatible with standard off-the-shelf TRIAC wall dimmer ( Lutron, Leviton, Watt stopper, etc).  
Maintains uniformity of LED brightness and color.

**Mounting Mechanism:**

Spring mount mechanism allows fixture to be recessed. Mounting hole size 2.125"

**Wiring:**

Phoster Light Engine supplied with DC cable(standard 2 x 6') to Phoster LED Power Supply which can be connected to line 120V AC  
Plenum rated

**Serviceability:**

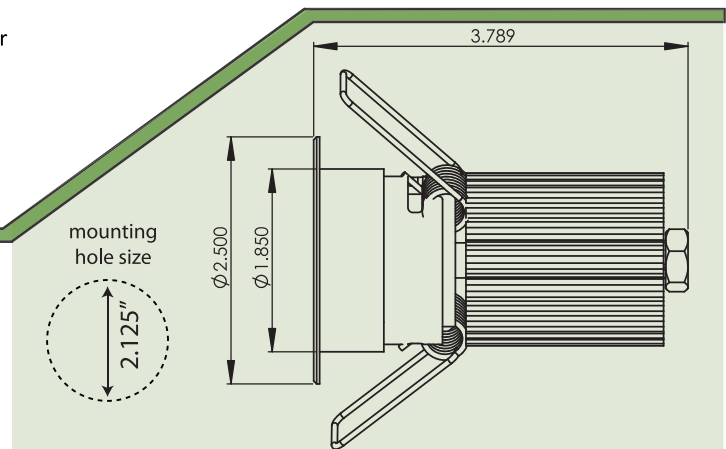
Light fixture can be easily removed and serviced.  
LED board easily replaceable.



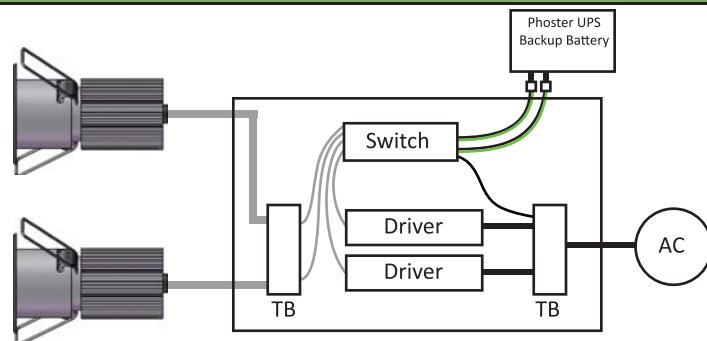
**Wiring Code:**

24V DC Power Supply for standard lighting applications:  
Phoster Light Engine comes standard with DC cable with wire-wire connection to Phoster LED Power Supply which also comes with DC Cable.

The Phoster LED Power Supply is connected to line 120V AC



## Elevator Emergency Battery Backup



Phoster Industries offers 2 emergency backup systems guaranteed to power the cab alarm system and 2 Phoster LED Light fixtures for more than 12 hours at greater than 5fc

- \* System 1 for Retrofit Installations incorporates patent pending AC/DC Switch Interface for cabs with existing 6V Battery Backup Systems
- \* System 2 for New Installations Incorporates patent pending AC/DC Switch Interface and Phoster proprietary Uninterrupted Power Supply System -> this system will maintain 75% of the light output (i.e. ~5fc) for over 12 hours during emergencies.
- \* 2 options available with battery backup - dimmable and non-dimmable. (same options available without battery backup)

### PLE - 9 W - 1 2 0 / 2 4 V D C - R E L - V A R C - V A R D - V A R F - V A R T

VARC (LED Color)	Warm white (2700K, 3000K) Cool white (5700K)
VARD (Optics)	36° symmetric
VARF(Finish)	Standard is matte aluminum (Other colours available)
VART(Trim)	Standard flush mounts/Parabolic swivel trims: -Basic -Circle -Square -Deep Recess