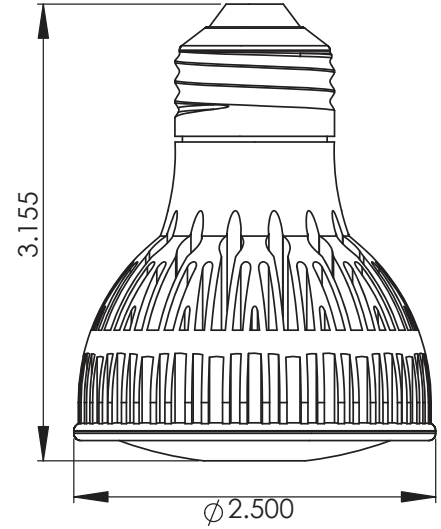




Patent Pending

LED Medium Base Lamps - PAR20



Weight: 159 g

General Info

Construction

Proprietary heat management system.
Dry location certification from ETL and UL

LED Board

9W power consumption
373lm light output, CRI: 80 - 85
+85% power efficiency

Power Requirements

Phoster Light Engine takes an input of 120 VAC.
Maintains uniformity of LED brightness and color.

Mounting Mechanism

Screws into existing 120 VAC Par20 sockets.
Meets ANSI # ANSI ANSLG C78.43-2007.
Fits in 100% of all Par20 applications.

Serviceability

Light fixture can be easily removed and serviced.
LED board and driver easily replaceable.
Suitable for use in enclosed and open fixtures.
5 year limited warranty (see warranty statement for further details).
IC rated.

Catalog Wattage Fixture Lens LED Color

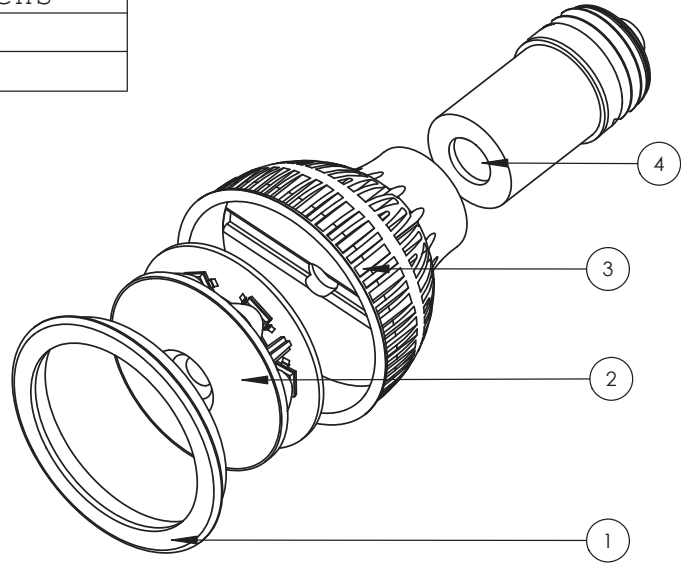
P L E - 9 W - P 2 0 N D - 2 4 D - 2 7 K

24 Deg	2700K
36 Deg	3000K
	3500K
	4000K
	5000K

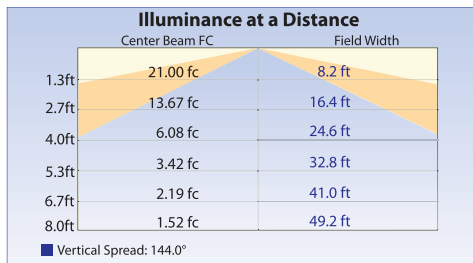
LED Medium Base Lamps - PAR20 Modular Design

Par20 - Modular View

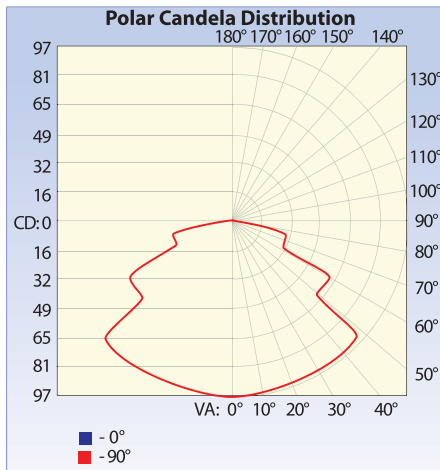
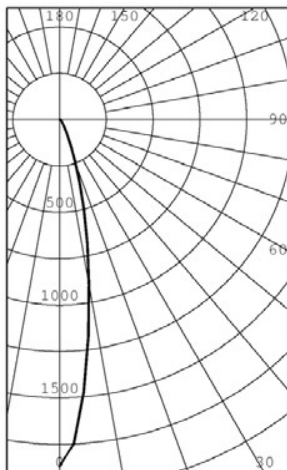
ITEM NO.	PART NAME
1	PAR20 - Heat Sink Cover
2	Primary - Secondary Lens
3	Heat Sink
4	Driver



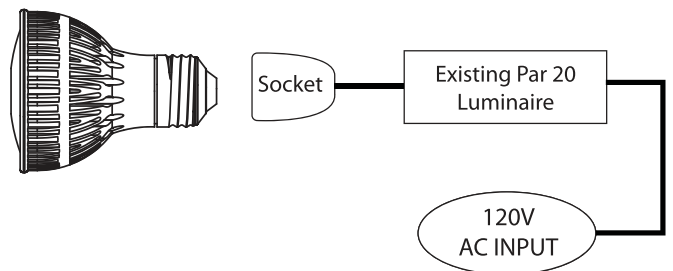
Photometrics



CBCP
1867 Cd



Installation Diagram



Available From:

