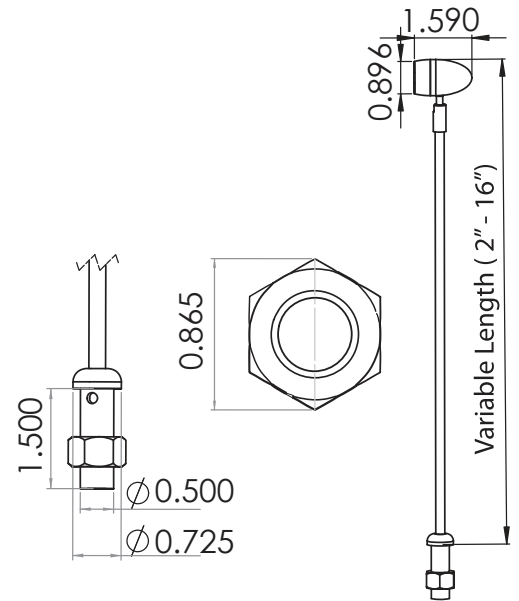




Patent Pending

# Stem - LED Show Case Light



## General Info

### Construction

High thermally conductive aluminum body.  
Proprietary heat dissipation construction.

### LED Board

1.5W power consumption.  
80lm light output

### Mounting Mechanism

Display case flex telescoping bracket.

### Power Requirements

Phoster Light Engine is powered by Phoster Power Supply 120 VAC input.  
Maintains uniformity of LED brightness and color. Alternative controls and dimmability available on special request.

### Wiring

Phoster Light Engine supplied with DC cable (standard 6' x 6') to Phoster LED power supply which can be connected to line 120 VAC (220V/240VAC connection available).

### Serviceability

Light fixture can be easily removed and serviced.  
LED board easily replaceable.

**Suitable for installation in enclosed and open environments.**

5 year limited warranty (see warranty statement for further details).

IC rated.

Catalog    Wattage    Fixture    Lens    LED Color

**P L E - 1 . 5 W - S S L - 1 2 D - 2 7 K**

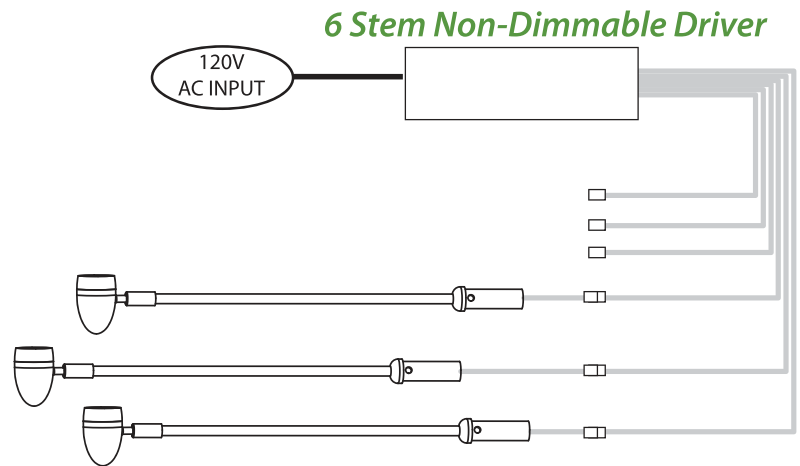
12 Deg	2700K
36 Deg	3000K
60 Deg	3500K
	4000K
	5000K

# Stem - LED Show Case Light - Wiring Diagram

## Non-Dimmable Stem Light Wire Configuration

**PSB Dimensions:**  
 Length - 6.5"  
 Width - 1.75"  
 Height - 1.25"

The dimensions of the Power Supply box remain the same for all Non-Dimmable Drivers. Below is an example of a 6 port Non-Dimmable driver powering 3 Stem Lights.



Catalog Fixture Non-Dimmable

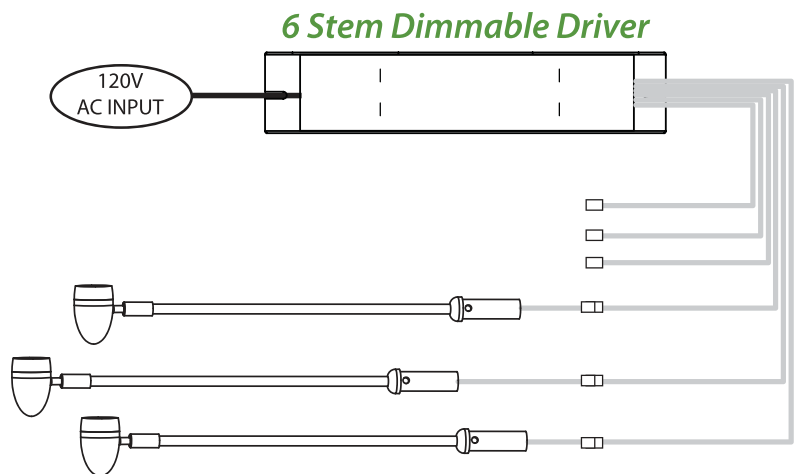
**PLD - SSL2P - ND**

- SSL2P - Powering 2 Lights
- SSL3P - Powering 3 Lights
- SSL6P - Powering 6 Lights

## Dimmable Stem Light Wire Configuration

**PSB Dimensions:**  
 Length - 14.0"  
 Width - 1.80"  
 Height - 2.6"

The dimensions of the Power Supply box remains the same for all Dimmable Drivers. Below is an example of a 6 port Dimmable driver powering 3 Stem Lights.

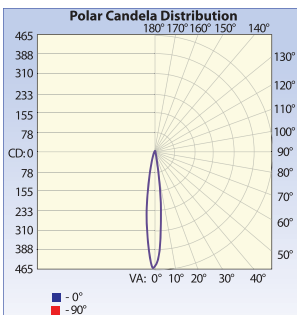


Catalog Fixture Non-Dimmable

**PLD - SSL3P - DD 1**

- SSL3P - Powering 3 Lights
- SSL4P - Powering 4 Lights
- SSL6P - Powering 6 Lights

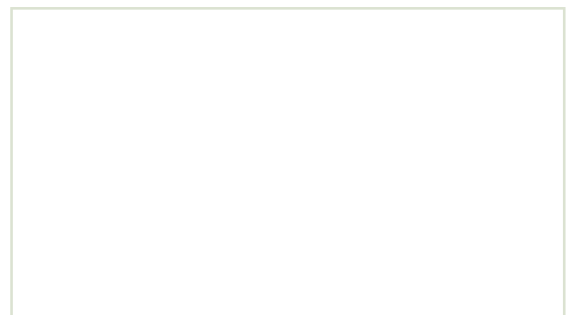
## Photometrics



	Illuminance at a Distance	
	Center Beam FC	Field Width
2.0ft	116.3 fc	1.0ft
4.0ft	29.1 fc	2.0ft
6.0ft	12.9 fc	3.0ft
8.0ft	7.3 fc	4.0ft
10.0ft	4.7 fc	5.0ft
12.0ft	3.2 fc	6.0ft

■ Vertical Spread: 28.1°

Available From:



The information contained in this document is intended only for the use of the recipient. It may contain confidential, proprietary or legally privileged information. If the reader of this document is not the intended recipient, or the employee or agent responsible to deliver it to the intended recipient, you are hereby notified that any dissemination, distribution, disclosure, use, print or copying of this communication and any attachment(s) is strictly prohibited. Phoster Industries 8509 Place Devonshire, Mount-Royal, Quebec, Canada www.phosterindustries.com 11/12