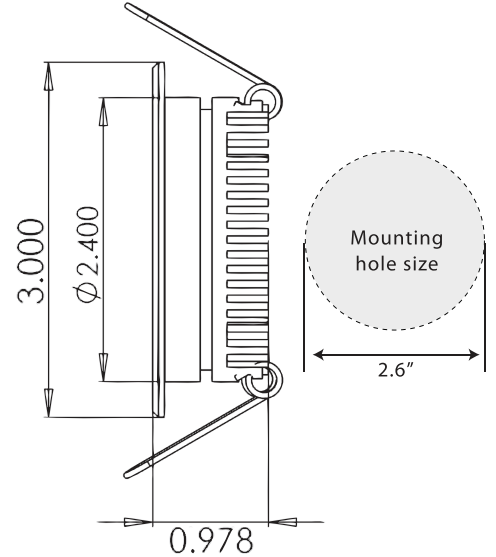




Trinity Recessed Puck Light

Patent Pending



General Info

Construction

High thermally conductive aluminum body. Proprietary heat dissipation construction.

LED Board

5.3W power consumption. 320lm light output @ 5W.

Mounting Mechanism

Spring mount mechanism allows fixture to be recessed. Mounting hole size is 2.6" diameter.

Power Requirements

Phoster Light Engine is powered by Phoster Power Supply 120 VAC input. Dimmable using Phoster proprietary mains-dimming intelligent driver - compatible with standard off-the-shelf TRIAC wall dimmer (Lutron, Leviton, Watt stopper, etc). Maintains uniformity of LED brightness and color.

Wiring

Phoster Light Engine supplied with DC cable (standard 2' x 6') to Phoster LED power supply which can be connected to line 120 VAC.

Serviceability

Light fixture can be easily removed and serviced. LED board easily replaceable.

Suitable for installation in enclosed and open environments.

5 year limited warranty (see warranty statement for further details).

IC rated.

Catalog Wattage Fixture Lens LED Color 2nd Lens Finish

P L E - 5 W - T P L - 1 2 D - 2 7 K - C L - B A

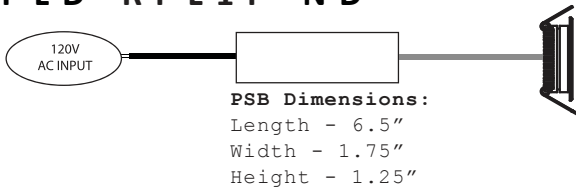
12 Deg	2700K	BA - Brushed Aluminum W - White B - Black
36 Deg	3000K	
60 Deg	3500K	
	4000K	
	5000K	
		CL - Clear FR - Frosted

Trinity Recessed Puck Light Driver Options

Non-Dimmable Driver Options

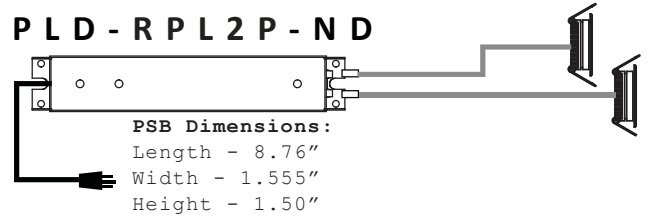
1 Puck Driver

PLD - RPL1P - ND



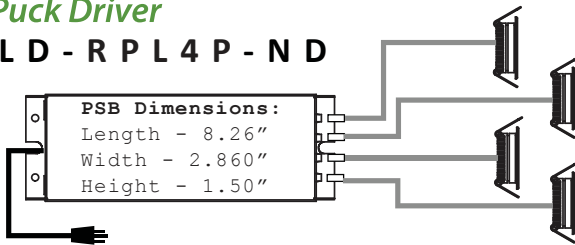
2 Puck Driver

PLD - RPL2P - ND



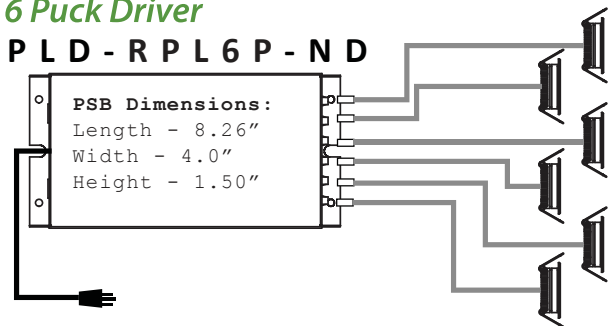
4 Puck Driver

PLD - RPL4P - ND



6 Puck Driver

PLD - RPL6P - ND

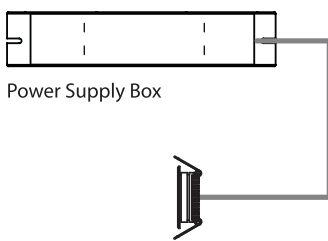


All Non-Dimmable Drivers (except the single Puck driver) are assembled with 3 Prong Plugs unless specified otherwise.

Dimmable Driver Options (Dimming - Down to 1%)

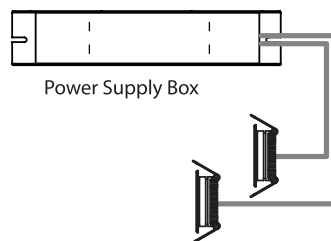
1 Puck Driver

PLD - RPL1 - DD1



2 Puck Driver

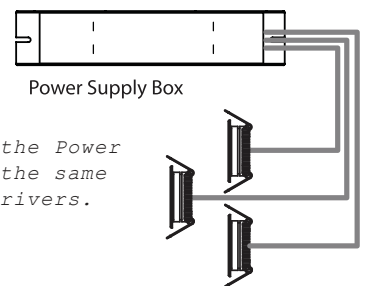
PLD - RPL2 - DD1



PSB Dimensions:
Length - 14.0"
Width - 1.80"
Height - 2.6"

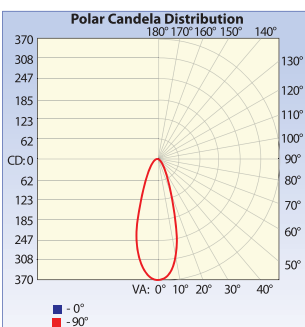
3 Puck Driver

PLD - RPL3 - DD1



The dimensions of the Power Supply box remain the same for all Dimmable Drivers.

Photometrics



Illuminance at a Distance

	Center Beam FC	Field Width
2.0ft	92.2 fc	1.3 ft
4.0ft	23.0 fc	2.6 ft
6.0ft	10.2 fc	3.9 ft
8.0ft	5.8 fc	5.1 ft
10.0ft	3.7 fc	6.4 ft

■ Beam Spread: 35.6°

Available From:

