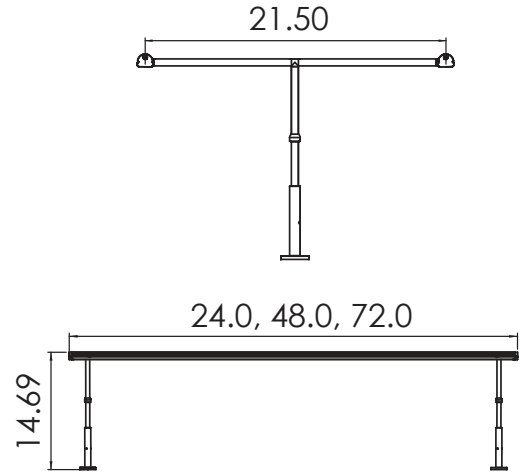




# Horizon LED Linear Luminaire

Patent Pending

## H-Bar Display Case Light



### General Info

#### Construction

High thermally conductive aluminum body.  
 Proprietary heat dissipation construction.  
 UL submittal dry location.

#### LED Board

7.35W/ft power consumption.  
 480lm/linear foot light output @ 7.35W.

#### Available Lengths

7.35W @ 2ft(960lm), 4ft(1920lm), 6ft(2880lm).

#### Serviceability

Light fixture can be easily removed from body for easy servicing. Individual LED boards easily replaceable.

**Suitable for installation in enclosed and open environments.**

5 year limited warranty (see warranty statement for further details).

IC rated.

#### Power Requirements

Phoster Light Engine is powered by Phoster Power Supply 120VAC input. Maintains uniformity of LED brightness and color.

#### Mounting Mechanism

Adjustable mount to install H-Bar at desired height. Standard height between 6" - 12". Other heights available upon request.

#### Wiring

H-Bar Display Case Light supplied with DC cable to Phoster LED Power Supply which takes 120V AC input.

Catalog    Wattage    Fixture    Lens    LED Color    Length

**P L E - 1 4 . 7 W - H H B - 9 4 D - 2 7 K - 2 4**

2 Feet   4 Feet   6 Feet  
 14.7W   29.4W   44.1W

2700K    24"  
 3000K    48"  
 3500K    72"  
 4000K  
 5000K

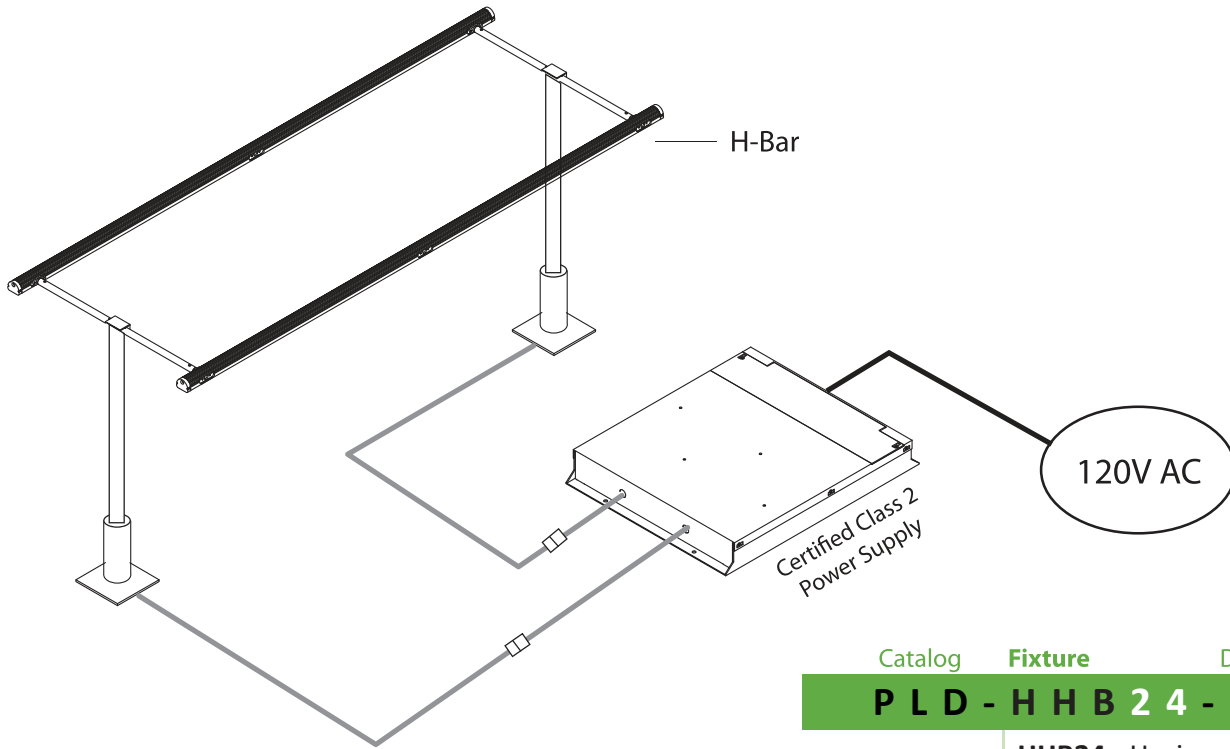


Approved by

# H-Bar Display Case Light Horizon LED Linear Luminaire - Installation Diagram



## H-Bar Show Case Light Wiring Specification

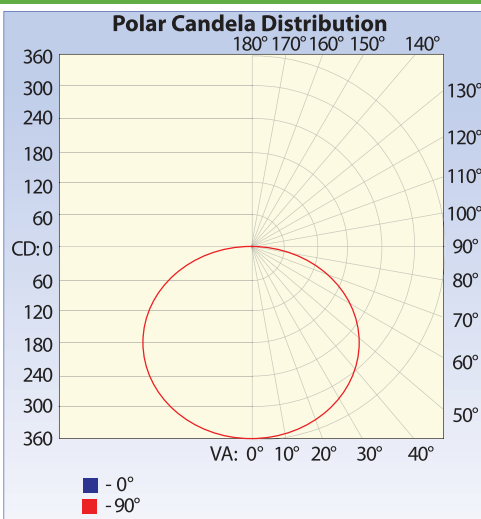


Catalog    Fixture    Dimmability

**PLD - H H B 2 4 - N D**

- HHB24** - Horizon H-Bar 24"
- HHB48** - Horizon H-Bar 48"
- HHB72** - Horizon H-Bar 72"

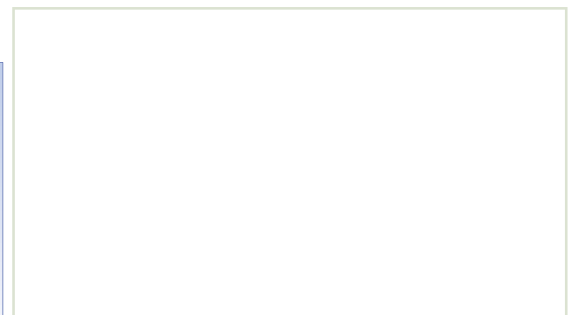
## Photometrics



7.4W/ft  
94 deg

Illuminance at a Distance	
Center Beam FC	
6.0ft	10.01 fc
8.0ft	5.63 fc
10.0ft	3.60 fc
12.0ft	2.50 fc
14.0ft	1.84fc
16.0ft	1.41 fc

Available From:



The information contained in this document is intended only for the use of the recipient. It may contain confidential, proprietary or legally privileged information. If the reader of this document is not the intended recipient, or the employee or agent responsible to deliver it to the intended recipient, you are hereby notified that any dissemination, distribution, disclosure, use, print or copying of this communication and any attachment(s) is strictly prohibited. Phoster Industries 8509 Place Devonshire, Mount-Royal, Quebec, Canada www.phosterindustries.com 11/12

www.phosterindustries.com 514 931 2928