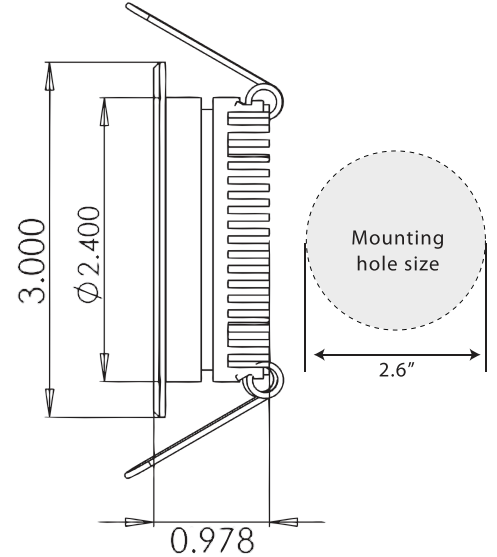




Cyclops Recessed Puck Light

Patent Pending



General Info

Construction

High thermally conductive aluminum body. Proprietary heat dissipation construction.

LED Board

5.3W power consumption. 320lm light output @ 5W.

Mounting Mechanism

Spring mount mechanism allows fixture to be recessed. Mounting hole size is 2.6" diameter.

Power Requirements

Phoster Light Engine is powered by Phoster Power Supply 120 VAC input. Dimmable using Phoster proprietary mains-dimming intelligent driver - compatible with standard off-the-shelf TRIAC wall dimmer (Lutron, Leviton, Watt stopper, etc). Maintains uniformity of LED brightness and color.

Wiring

Phoster Light Engine supplied with DC cable (standard 2' x 6') to Phoster LED power supply which can be connected to line 120 VAC.

Serviceability

Light fixture can be easily removed and serviced. LED board easily replaceable.

5 year limited warranty (see warranty statement for further details).

Suitable for installation in enclosed and open environments. IC rated.

Catalog Wattage Fixture Lens LED Color 2nd Lens Finish

P L E - 5 W - C P L - 1 2 0 D - 2 7 K - C L - B A

2700K
3000K
3500K
4000K
5000K

CL - Clear
FR - Frosted

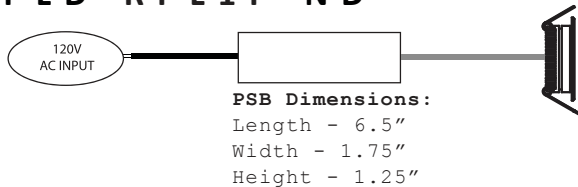
BA - Brushed Aluminum
W - White
B - Black

Cyclops Recessed Puck Light Driver Options

Non-Dimmable Driver Options

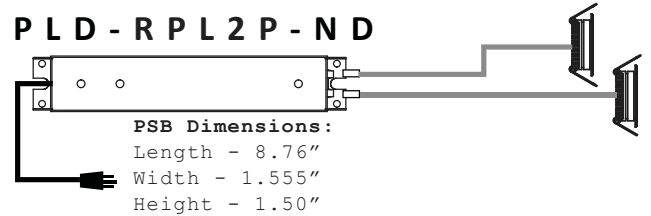
1 Puck Driver

PLD - RPL1P - ND



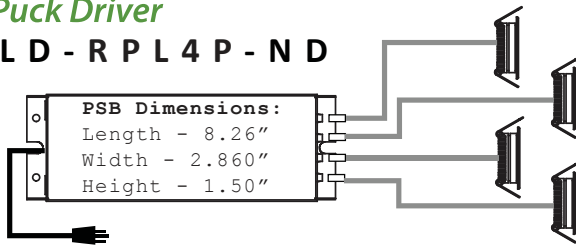
2 Puck Driver

PLD - RPL2P - ND



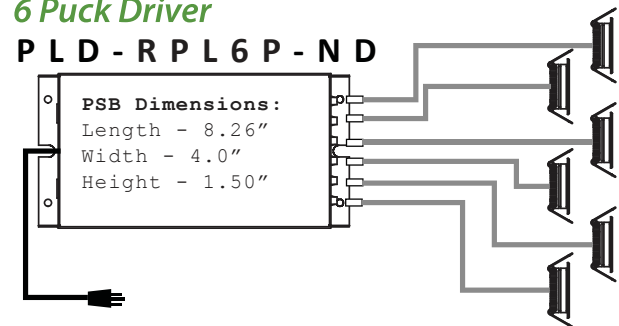
4 Puck Driver

PLD - RPL4P - ND



6 Puck Driver

PLD - RPL6P - ND

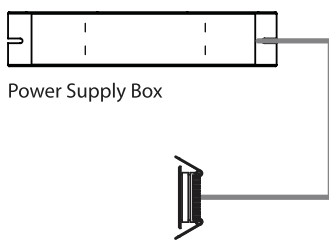


All Non-Dimmable Drivers (except the single Puck driver) are assembled with 3 Prong Plugs unless specified otherwise.

Dimmable Driver Options (Dimming - Down to 1%)

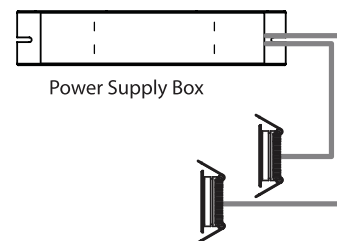
1 Puck Driver

PLD - RPL1 - DD1



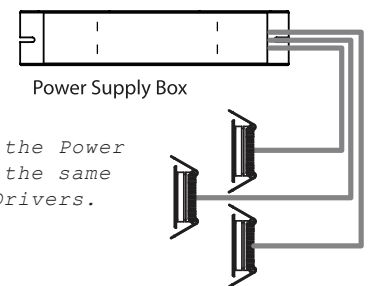
2 Puck Driver

PLD - RPL2 - DD1



3 Puck Driver

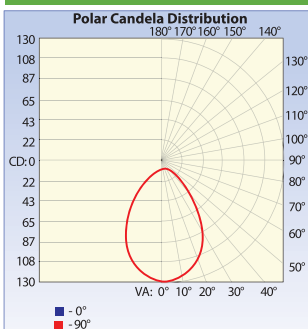
PLD - RPL3 - DD1



PSB Dimensions:
Length - 14.0"
Width - 1.80"
Height - 2.6"

The dimensions of the Power Supply box remain the same for all Dimmable Drivers.

Photometrics



Illuminance at a Distance

	Center Beam FC	Field Width
2.0ft	30.1 fc	3.4 ft
4.0ft	7.5 fc	6.8 ft
6.0ft	3.3 fc	10.2 ft
8.0ft	1.9 fc	13.6 ft
10.0ft	1.2 fc	17.0 ft

Vertical Spread: 80.8°

Available From:

