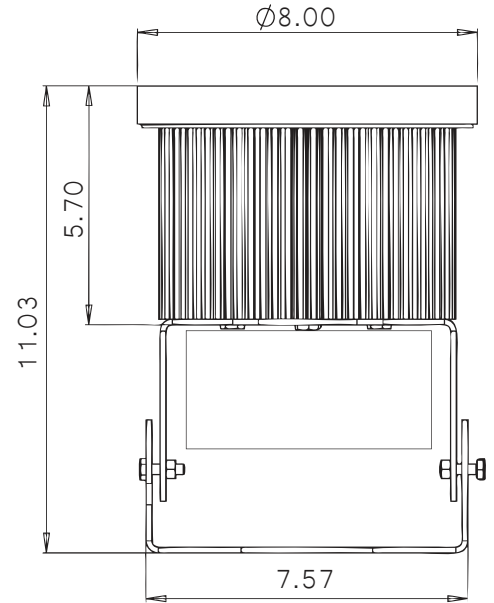




LED High Bay Replacement Luminaire or P64 Retro-Fit Kit



General Info

Construction

High thermally conductive aluminum body.
Machined housing and swivel trim.
Weather-proof UV resistant acrylic optic.

LED Board

77.2W power consumption - 5042lm light output.
102.9W power consumption - 6720lm light output.

Power Requirements

Phoster Light Engine is powered by Phoster Power Supply 120 VAC input. Dimmable using Phoster proprietary mains-dimming intelligent driver - compatible with standard off-the-shelf TRIAC wall dimmer (Lutron, Leviton, Watt Stopper, etc). Maintains uniformity of LED brightness and color.

Mounting Mechanism

Adjustable custom mounting mechanism.

Wiring

Phoster Light Engine supplied with 14AWG teflon insulated 48" wire.

Serviceability

Light Fixture can be easily removed and serviced.
LED board easily replaceable.
5 year limited warranty (see warranty statement for further details).
IC rated.

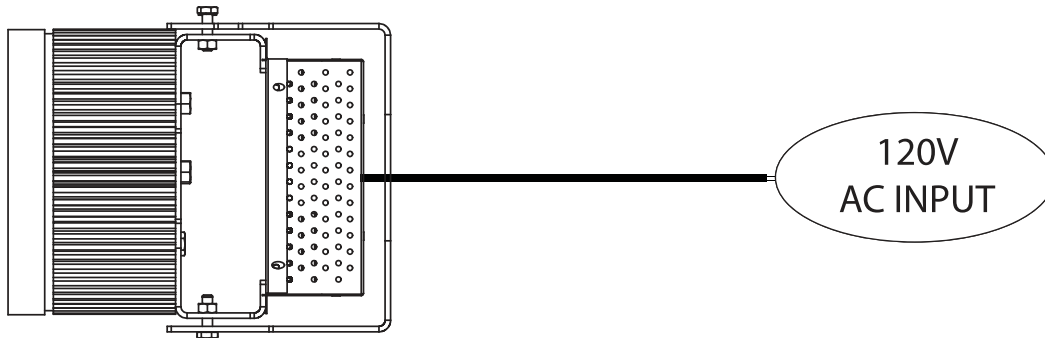
Catalog Wattage Fixture Lens LED Color

P L E - 7 7 W - H W P 6 4 - 1 2 D - 2 7 K

77.2W	12 Deg	2700K
102.9W	36 Deg	3000K
	60 Deg	3500K
		4000K
		5000K

LED High Bay Replacement Luminaire/P64 Retro-Fit Kit

P64 Wiring Diagram

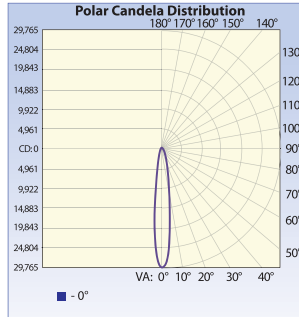


Photometrics

Illuminance at a Distance

	Center Beam FC	Field Width
8.3ft	428.6 fc	4.2ft
16.7ft	107.2 fc	8.3ft
25.0ft	47.6 fc	12.5ft
33.3ft	26.8 fc	16.7ft
41.7ft	17.1 fc	20.9ft
50.0ft	11.9 fc	25.0ft

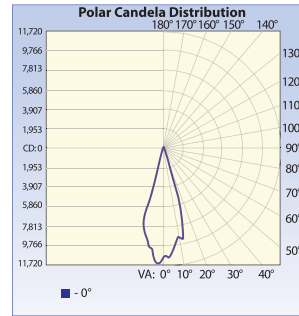
■ Vertical Spread: 28.1°



Illuminance at a Distance

	Center Beam FC	Field Width
8.3ft	156.4 fc	7.7ft
16.7ft	39.1 fc	15.5ft
25.0ft	17.4 fc	23.2ft
33.3ft	9.8 fc	30.9ft
41.7ft	6.3 fc	38.7ft
50.0ft	4.3 fc	46.4ft

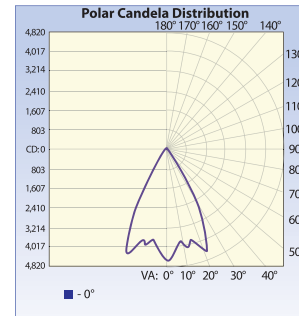
■ Vertical Spread: 49.8°



Illuminance at a Distance

	Center Beam FC	Field Width
8.3ft	65.80 fc	12.6ft
16.7ft	16.45 fc	25.1ft
25.0ft	7.31 fc	37.7ft
33.3ft	4.11 fc	50.3ft
41.7ft	2.63 fc	62.9ft
50.0ft	1.83 fc	75.4ft

■ Vertical Spread: 74.1°



Available From:

